



S1

HOME CAMERA

PIR sensor
Super night vision
IP65 waterproof rating

SJCAM Low-power Home Camera S1



1. Real 2K resolution enable your camera to see farther and more clearly.
2. Battery-powered and WiFi transmission data, away from the trouble of wiring.
3. Intelligent power saving, the longest use time is up to 100 days.
4. The human figure detection function will automatically turn on recording when someone passes by.
5. Multiple LED lights and infrared lights make night shooting closer to reality.

Product Specifications:

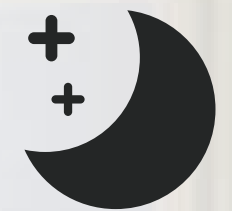
- Ingenic T31 Chip
- GC4663 Sensor
- 95° FOV
- 2K Video Resolution
- 8 Pieces Infrared Lights
- WiFi 2.4GHz
- 10m Sensing Distance
- 143° Induction Angle
- IP65 Waterproof
- 9600mAh Battery Capacity
- Microphone (built-in)
- Speaker (built-in)
- MAX TF card 128GB

2K

2K Video Resolution



PIR Sensor



Super Night Vision



Humanoid Check



143° Thermal Induction Angle



IP65 waterproof rating



Wireless Installation



Long Battery Life



App Sharing

SJCAM Low-power Home Camera S1



2K **Video Resolution**

High-definition visual experience,
sharing wonderful all the time

SJCAM Low-power Home Camera S1

Wireless Installation

Battery powered, WiFi networking, easy to install



SJCAM Low-power Home Camera S1

Super Night Vision

8pcs infrared lights and LED lights,
making night video more natural



SJCAM Low-power Home Camera S1

Specification

Main Chip:	Ingenic T31	Speaker:	Built-in
Sensor:	GC4663	Single Machine Weight:	253g (With Battery)
Pixels:	4mp	Waterproof:	IP65
Battery Model:	21700	Size:	90x55x44mm
Battery Capacity:	9600mah	Operating Temperature:	-10℃~45℃
Wifi:	2.4GHz	Storage:	plug-in Tf Card Above Class 10 Supports Up To 128gb
Lens Angle Of View:	95°		
Fill Light:	Super Bright Fluorescent Lamp		
Night Vision Infrared Light:	8 Pcs		
Video Encoding Method:	H.264		
Video Resolution:	2560×1440 15fps 1920×1080 15fps 1280×720 15fps		
Thermal Induction Distance:	About 10 Meters		
Thermal Induction Angle:	143°		
Microphone:	Built-in		

Charging

Charging Port:	Micro Usb
Input Voltage:	5v
Input Current:	2a

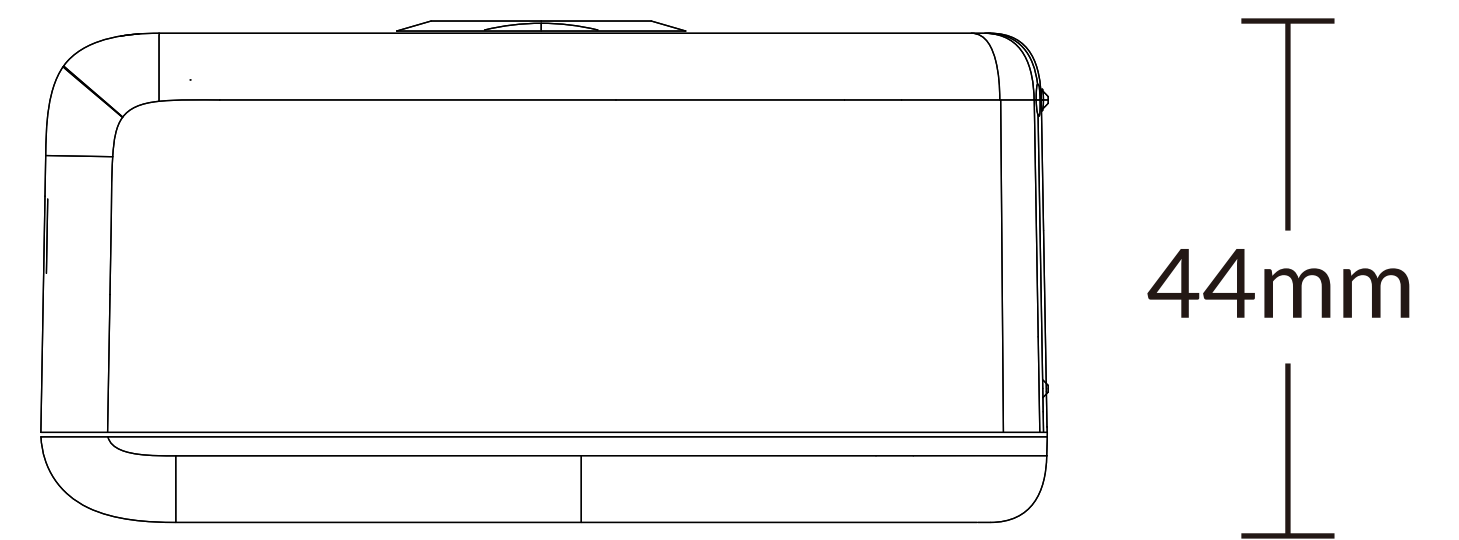


SJCAM Low-power Home Camera S1



Product Dimension

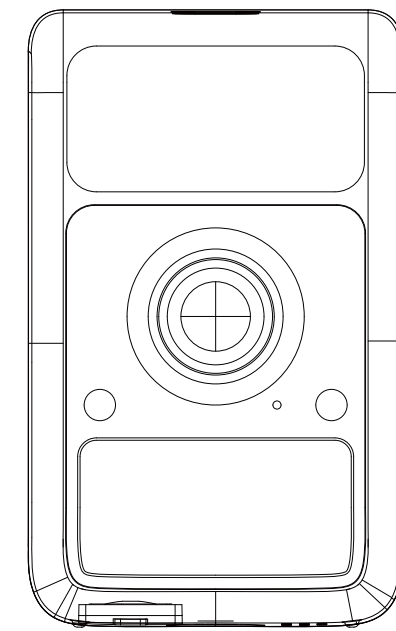
- Camera size: 90mm × 55mm × 44mm
- Camera weight: 253g (including battery)
- Package size: 195mm × 95mm × 65mm



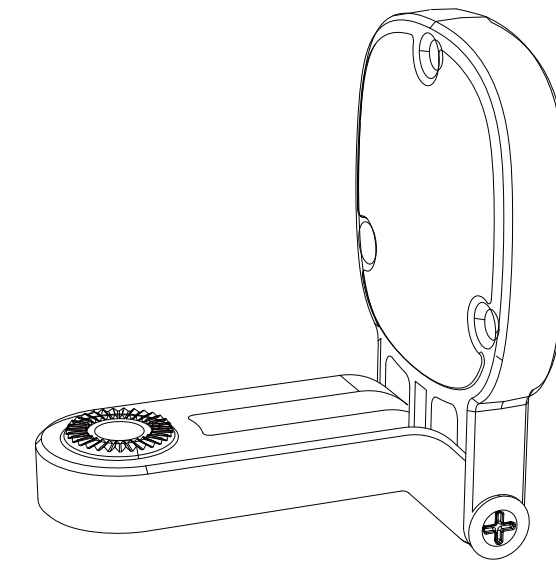
SJCAM Low-power Home Camera S1



Packing List



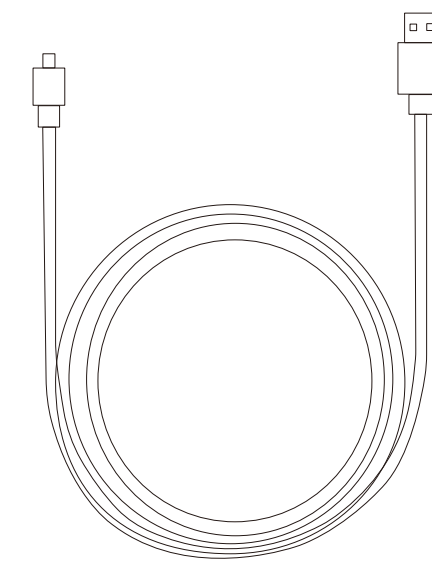
Camera × 1



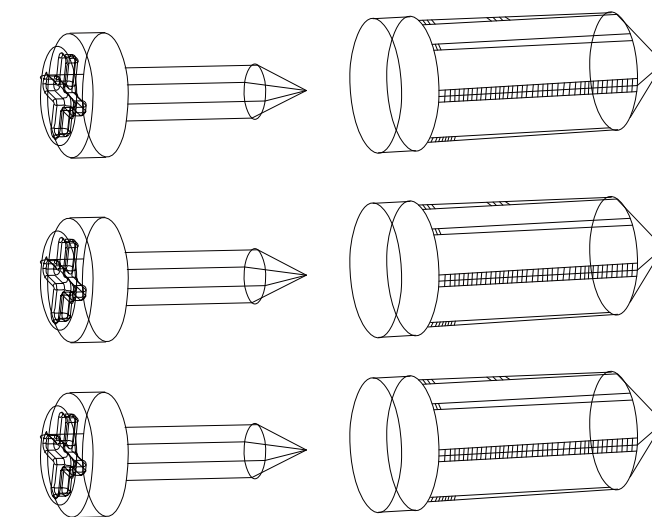
Bracket × 1



User Manual × 1



USB cable × 1



Expansion screw × 3

